

750kHz – 800MHz Low Phase Noise VCXO (for 12 to 25MHz Crystals)

FEATURES

- 750kHz to 800MHz output range.
- Low phase noise output
 - -127dBc/Hz for 155.52MHz @ 10kHz offset
 - -115dBc/Hz for 622.08MHz @ 10kHz offset
- Selectable LVCMOS, LVPECL or LVDS output.
- Selectable High Drive or Standard Drive LVCMOS.
- 12MHz to 25MHz crystal input.
- No external load capacitor or varicap required.
- Output Enable selector.
- Wide pull range (± 200 ppm)
- 3.3V operation.
- Available in Die form (65 mil x 62 mil).

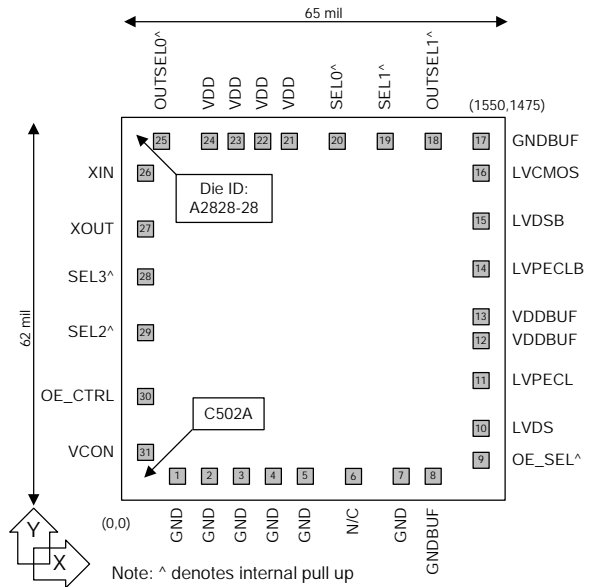
DESCRIPTION

The PLL502-30 is a monolithic low jitter and low phase noise VCXO IC with LVCMOS, LVDS and LVPECL output capabilities, covering the 750kHz to 800MHz output range. It allows the control of the output frequency with an input voltage (VCON), using a low cost 12MHz to 25MHz crystal. This one IC can be used to produce a VCXO with output frequencies ranging from $F_{XIN} / 16$ to $F_{XIN} \times 32$ thanks to the four frequency selector pads. This makes the PLL502-30 ideal as a universal die for applications ranging from ADSL to SONET.

DIE SPECIFICATIONS

Name	Value
Size	62 x 65 mil
Reverse side	GND
Pad dimensions	80 micron x 80 micron
Thickness	10 mil

DIE CONFIGURATION



OUTPUT SELECTION AND ENABLE

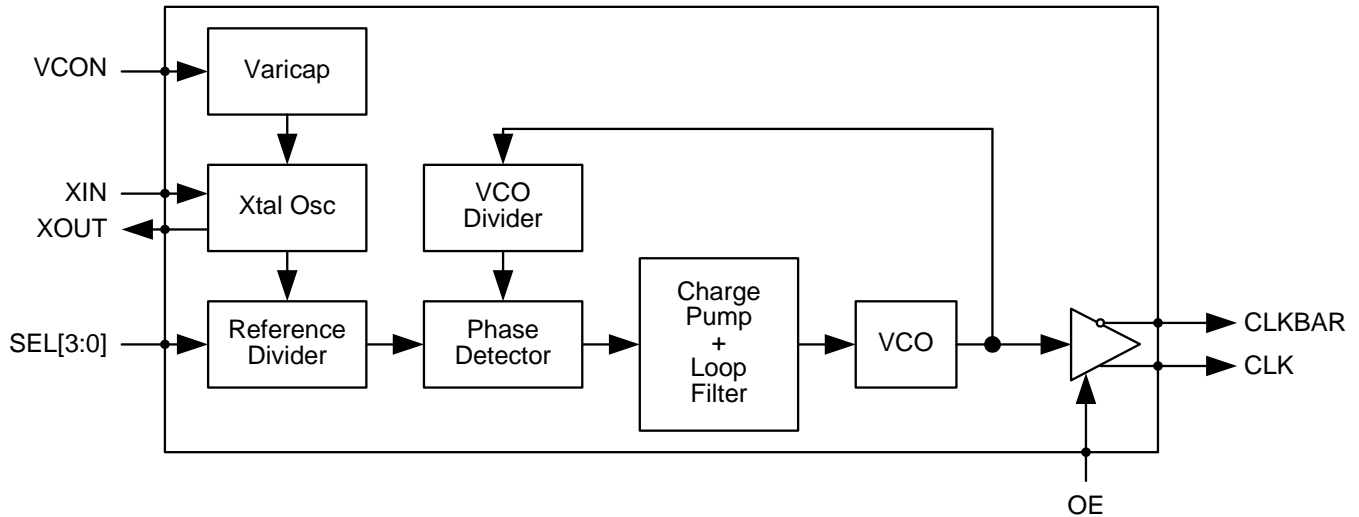
OUTSEL1 (Pad #18)	OUTSEL0 (Pad #25)	Selected Output
0	0	High Drive LVCMOS
0	1	Standard Drive LVCMOS
1	0	LVPECL
1	1	LVDS

OE_SELECT (Pad #9)	OE_CTRL (Pad #30)	State
0	0 (Default)	Output enabled
	1	Tri-state
1 (Default)	0	Tri-state
	1 (Default)	Output enabled

Pad #9: Bond to GND to set to "0", bond to VDD to set to "1"
 Pad #30: Logical states defined by PECL levels if OE_SELECT is "0"
 Logical states defined by CMOS levels if OE_SELECT is "1"

750kHz – 800MHz Low Phase Noise VCXO (for 12 to 25MHz Crystals)

BLOCK DIAGRAM



FREQUENCY SELECTION TABLE

SEL3 (Pad #28)	SEL2 (Pad #29)	SEL1 (Pad #19)	SEL0 (Pad #20)	Selected Multiplier
0	0	0	0	Reserved
0	0	0	1	Reserved
0	0	1	0	Reserved
0	0	1	1	Fin x 32
0	1	0	0	Reserved
0	1	0	1	Reserved
0	1	1	0	Fin / 8
0	1	1	1	Fin x 2
1	0	0	0	Reserved
1	0	0	1	Fin / 2
1	0	1	0	Fin / 16
1	0	1	1	Fin x 4
1	1	0	0	Fin / 4
1	1	0	1	Fin x 8
1	1	1	0	Fin x 16
1	1	1	1	No multiplication

All pads have internal pull-ups (default value is 1). Bond to GND to set to 0.

750kHz – 800MHz Low Phase Noise VCXO (for 12 to 25MHz Crystals)
ELECTRICAL SPECIFICATIONS
1. Absolute Maximum Ratings

PARAMETERS	SYMBOL	MIN.	MAX.	UNITS
Supply Voltage	V_{DD}		4.6	V
Input Voltage, dc	V_I	-0.5	$V_{DD}+0.5$	V
Output Voltage, dc	V_O	-0.5	$V_{DD}+0.5$	V
Storage Temperature	T_S	-65	150	°C
Ambient Operating Temperature*	T_A	-40	85	°C
Junction Temperature	T_J		125	°C
Lead Temperature (soldering, 10s)			260	°C
ESD Protection, Human Body Model		2		kV

Exposure of the device under conditions beyond the limits specified by Maximum Ratings for extended periods may cause permanent damage to the device and affect product reliability. These conditions represent a stress rating only, and functional operations of the device at these or any other conditions above the operational limits noted in this specification is not implied. Operating Temperature is guaranteed by design for all parts (COMMERCIAL and INDUSTRIAL), but tested for COMMERCIAL grade only.

2. Crystal Specifications

PARAMETERS	SYMBOL	CONDITIONS	MIN.	TYP.	MAX.	UNITS
Crystal Resonator Frequency	F_{XIN}	Parallel Fundamental Mode	12		25	MHz
Crystal Loading Rating	C_L (xtal)	at $V_{CON} = 1.65V$		9.5		pF
Crystal Pullability	C_0/C_1 (xtal)	AT cut			250	-
Recommended ESR	R_E	AT cut			30	Ω

Note: Crystal Loading rating: 9.5pF is the loading the crystal sees from the VCXO chip at $V_{CON} = 1.65V$. It is assumed that the crystal will be at nominal frequency at this load. If the crystal requires more load to be at nominal frequency, the additional load must be added externally. This however may reduce the pull range.

3. Voltage Control Crystal Oscillator

PARAMETERS	SYMBOL	CONDITIONS	MIN.	TYP.	MAX.	UNITS
VCXO Stabilization Time *	$T_{VCXOSTB}$	From power valid			10	ms
VCXO Tuning Range		$F_{XIN} = 12MHz$ to $25MHz$; $XTAL C_0/C_1 < 250$ $0V \leq V_{CON} \leq 3.3V$		500		ppm
CLK Output Pullability		$V_{CON} = 1.65V, \pm 1.65V$	± 200			ppm
VCXO Tuning Characteristic				150		ppm/V
Pull Range Linearity					10	%
VCON Pin Input Impedance			2000			k Ω
VCON Modulation BW		$0V \leq V_{CON} \leq 3.3V, -3dB$	10			kHz

Note: Parameters denoted with an asterisk (*) represent nominal characterization data and are not production tested to any specific limits.

750kHz – 800MHz Low Phase Noise VCXO (for 12 to 25MHz Crystals)
4. General Electrical Specifications

PARAMETERS	SYMBOL	CONDITIONS	MIN.	TYP.	MAX.	UNITS	
Supply Current, Dynamic (with loaded outputs, 15pF)	I _{DD}	LVPECL/ LVDS/ LVCMOS	F _{out} <24MHz			60/28/15	mA
			24MHz<F _{out} <96MHz			65/45/30	
			96MHz<F _{out} <700MHz			100/80/40	
Operating Voltage	V _{DD}		2.97		3.63	V	
Output Clock Duty Cycle		@ 50% V _{DD} (LVCMOS) @ 1.25V (LVDS) @ V _{DD} – 1.3V (LVPECL)	45	50	55	%	

5. Jitter Specifications

PARAMETERS	CONDITIONS	FREQUENCY	MIN.	TYP.	MAX.	UNITS
Period Jitter, RMS	With capacitive decoupling between V _{DD} and GND. Over 10,000 cycles.	155.52MHz		4.3		ps
		622.08MHz		5.0		
Period Jitter, Peak-to-Peak	With capacitive decoupling between V _{DD} and GND. Over 10,000 cycles.	155.52MHz		35		ps
		622.08MHz		45		
Integrated Jitter, RMS	Integrated 12 kHz to 20 MHz	155.52MHz		2.4		ps
		622.08MHz		2.5		

6. Phase Noise Specifications

PARAMETERS	FREQUENCY	@10Hz	@100Hz	@1kHz	@10kHz	@100kHz	UNITS
Phase Noise, relative to carrier (typical)	155.52MHz	-63	-93	-117	-126	-123	dBc/Hz
	622.08MHz	-52	-83	-105	-113	-110	

Note: Phase Noise measured at VCON = 0V

7. LVCMOS Electrical Characteristics

PARAMETERS	SYMBOL	CONDITIONS	MIN.	TYP.	MAX.	UNITS
Output Drive Current (Standard Drive)	I _{OH}	V _{OH} = V _{DD} -0.4V, V _{DD} =3.3V	10			mA
	I _{OL}	V _{OL} = 0.4V, V _{DD} = 3.3V	10			mA
Output Drive Current (High Drive)	I _{OH}	V _{OH} = V _{DD} -0.4V, V _{DD} =3.3V	30			mA
	I _{OL}	V _{OL} = 0.4V, V _{DD} = 3.3V	30			mA
Output Clock Rise/Fall Time (Standard Drive)		0.3V ~ 3.0V with 15 pF load		2.4		ns
Output Clock Rise/Fall Time (High Drive)		0.3V ~ 3.0V with 15 pF load		1.2		

750kHz – 800MHz Low Phase Noise VCXO (for 12 to 25MHz Crystals)

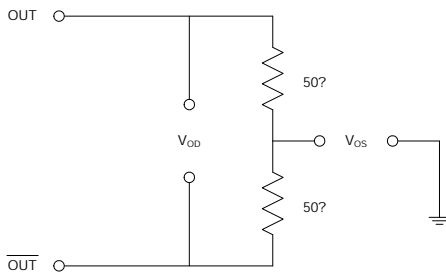
8. LVDS Electrical Characteristics

PARAMETERS	SYMBOL	CONDITIONS	MIN.	TYP.	MAX.	UNITS
Output Differential Voltage	V_{OD}	$R_L = 100 \Omega$ (see figure)	247	355	454	mV
V_{DD} Magnitude Change	ΔV_{OD}		-50		50	mV
Output High Voltage	V_{OH}			1.4	1.6	V
Output Low Voltage	V_{OL}		0.9	1.1		V
Offset Voltage	V_{OS}		1.125	1.2	1.375	V
Offset Magnitude Change	ΔV_{OS}		0	3	25	mV
Power-Off Leakage	I_{OXD}	$V_{out} = V_{DD}$ or GND $V_{DD} = 0V$		± 1	± 10	μA
Output Short Circuit Current	I_{OSD}			-5.7	-8	mA

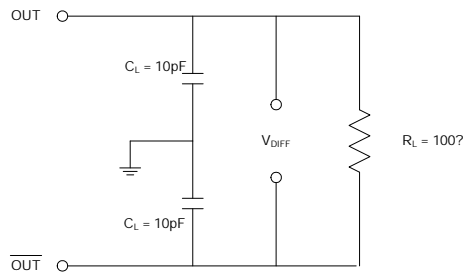
9. LVDS Switching Characteristics

PARAMETERS	SYMBOL	CONDITIONS	MIN.	TYP.	MAX.	UNITS
Differential Clock Rise Time	t_r	$R_L = 100 \Omega$ $C_L = 10 \text{ pF}$ (see figure)		0.7	1.0	ns
Differential Clock Fall Time	t_f			0.7	1.0	ns

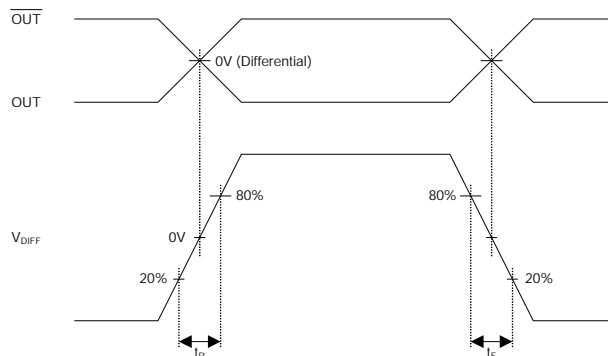
LVDS Levels Test Circuit



LVDS Switching Test Circuit



LVDS Transition Time Waveform



750kHz – 800MHz Low Phase Noise VCXO (for 12 to 25MHz Crystals)

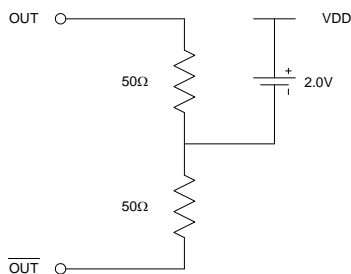
10. LVPECL Electrical Characteristics

PARAMETERS	SYMBOL	CONDITIONS	MIN.	MAX.	UNITS
Output High Voltage	V_{OH}	$R_L = 50 \Omega$ to $(V_{DD} - 2V)$ (see figure)	$V_{DD} - 1.025$		V
Output Low Voltage	V_{OL}			$V_{DD} - 1.620$	V

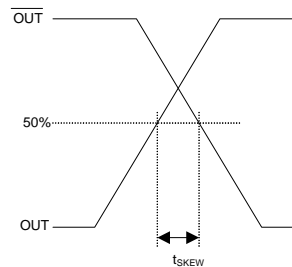
11. LVPECL Switching Characteristics

PARAMETERS	SYMBOL	CONDITIONS	MIN.	TYP.	MAX.	UNITS
Clock Rise Time	t_r	@20/80% - LVPECL		0.6	1.5	ns
Clock Fall Time	t_f	@80/20% - LVPECL		0.5	1.5	ns

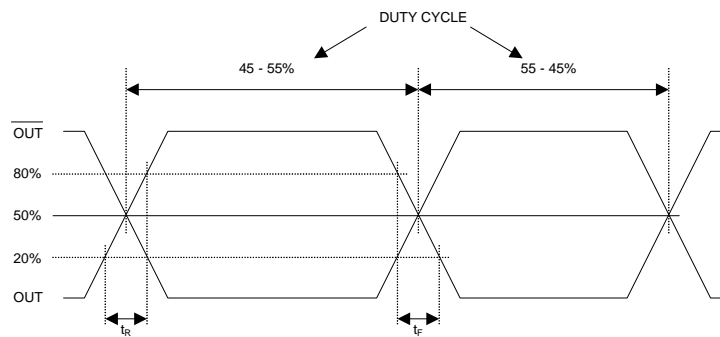
LVPECL Levels Test Circuit



LVPECL Output Skew



LVPECL Transition Time Waveform



750kHz – 800MHz Low Phase Noise VCXO (for 12 to 25MHz Crystals)
PAD ASSIGNMENT

Pad #	Name	X (μm)	Y (μm)	Description
1	GND	248	109	Ground.
2	GND	361	109	Ground.
3	GND	473	109	Ground.
4	GND	587	109	Ground.
5	GND	702	109	Ground.
6	N/C	874	109	No Connection.
7	GND	1042	109	Ground.
8	GNDBUF	1171	109	Ground, buffer circuitry.
9	OE_SELECT	1400	125	Used to select between LVPECL or LVCMOS logic states for OE. Internal pull up.
10	LVDS	1400	259	LVDS Output.
11	LVPECL	1400	476	LVPECL Output.
12	VDDBUF	1400	616	3.3V power supply, Buffer circuitry.
13	VDDBUF	1400	716	3.3V power supply, Buffer circuitry.
14	LVPECLB	1400	871	Complementary LVPECL Output.
15	LVDSB	1400	1089	Complementary LVDS Output.
16	LVCMOS	1400	1227	LVCMOS Output.
17	GNDBUF	1389	1365	Ground, buffer circuitry.
18	OUTSEL1	1232	1365	Used to select LVCMOS, LVPECL or LVDS output type. Internal pull up.
19	SEL1	1042	1365	Used to select multiplication factor. Internal pull up.
20	SEL0	854	1365	Used to select multiplication factor. Internal pull up.
21	VDD	659	1365	3.3V power supply.
22	VDD	559	1365	3.3V power supply.
23	VDD	459	1365	3.3V power supply.
24	VDD	358	1365	3.3V power supply.
25	OUTSELO	194	1365	Used to select LVCMOS, LVPECL or LVDS output type. Internal pull up.
26	XIN	109	1223	Crystal input. See crystal specification page 3.
27	XOUT	109	1017	Crystal output. See crystal specification page 3.
28	SEL3	109	858	Used to select multiplication factor. Internal pull up.
29	SEL2	109	646	Used to select multiplication factor. Internal pull up.
30	OE_CTRL	109	397	Used to enable/disable the output(s). See Output Selection and Enable table on page 1.
31	VCON	109	181	Voltage Control Input. 0V to 3.3V.

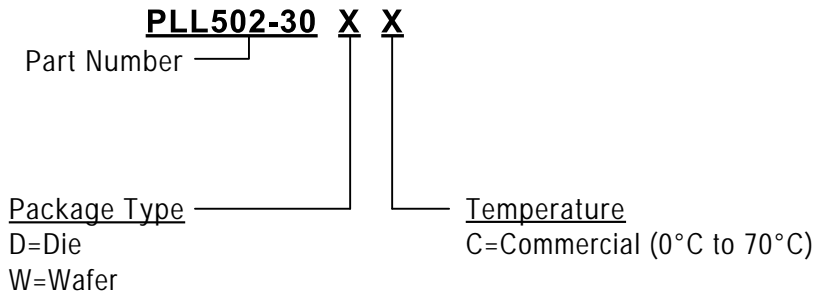
750kHz – 800MHz Low Phase Noise VCXO (for 12 to 25MHz Crystals)

ORDERING INFORMATION

For part ordering, please contact our Sales Department:
47745 Fremont Blvd., Fremont, CA 94538, USA
Tel: (510) 492-0990 Fax: (510) 492-0991

PART NUMBER

The order number for this device is a combination of the following:
Part Number, Package Type and Operating Temperature Range



Part Number/Order Number	Marking	Package Option
PLL502-30DC	P502-30DC	Die (Waffle Pack)
PLL502-30WC	P502-30WC	Wafer

PhaseLink Corporation, reserves the right to make changes in its products or specifications, or both at any time without notice. The information furnished by Phaselink is believed to be accurate and reliable. However, PhaseLink makes no guarantee or warranty concerning the accuracy of said information and shall not be responsible for any loss or damage of whatever nature resulting from the use of, or reliance upon this product.
LIFE SUPPORT POLICY: PhaseLink's products are not authorized for use as critical components in life support devices or systems without the express written approval of the President of PhaseLink Corporation.